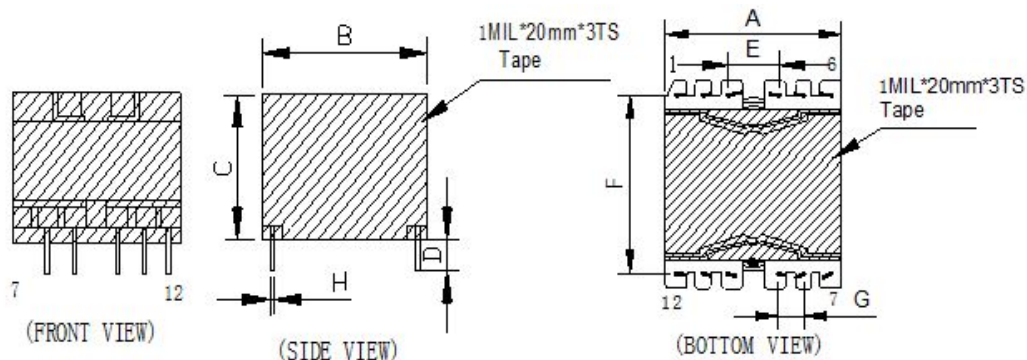


CUSTOMER TERMINAL	ROHS	Lead(Pb)-free
	YES	YES

1. Mechanical Dimensions



A	26.5	±0.3
B	29.0	MAX
C	21.0	±0.3
D	3.8	±0.5
E	7.6	±0.5
F	25.4	±0.5
G	3.8	±0.5
H	0.60	±0.1

3. Material List

Core:FW95 PQ2620

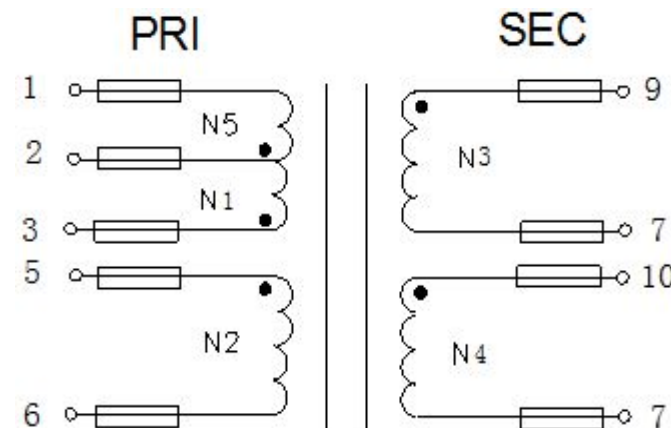
Bobbin:FWB2601(6+6PIN)

Wire:2UEW TIW

Copper foil: 0.05t*5.0mm

Operating Temperature: -30 to115 °C

2. Schematic Diagram



4. Electrical Specification

Inductance: L(1-3):1.8mH±5% 30KHZ , 1V

Leakage Inductance : 20uH MAX 30KHZ , 1V

DCR:(1-3)=0.966Ω±10% (7-9)=0.610Ω±10%

Hi-Pot:P-S: AC 60Hz 4000V 1.0mA 3S

REV.	DATE	<p>Convention Placement</p>	DRW.	Drawing Title:	Part No:		
0	00/00		CHK.			TRANSFORMER	FWPTPQ2620V182J
			APP.			Customer P/N	Specification Sheet 1of 1

ROHS

www.ferriwo.com